

Pulsarlube S

Unique and Ingenious Design

The Pulsarlube S is an advanced spring type lubricator operates with the spring at the bottom and an upward piston movement, which dramatically reduces the effects of oil separation that have plagued traditional spring type lubricators.

Specifications

Grease Capacity
100ml (refillable)

Remote Installation
Not Applicable

Operating Method
Spring

Multi-Point Installation
Not Applicable

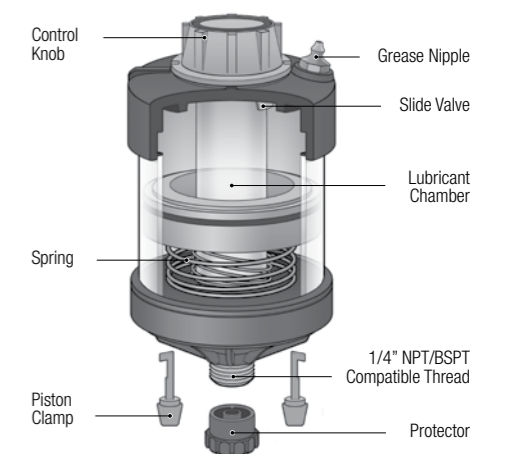
Operating Pressure
Not Applicable

Operating Temperature
-23°C~121°C (-9°F~250°F)

Dispensing Periods
5 Dial Settings



Cross Section



Product Dimension
S100 : Ø67mm (2.64\") x 129mm (5.08\") (H)

Features & Benefits

Design	The upward piston movement reduces oil separation and the possibility of grease hardening
Control Knob	Grease dispensing rate can be easily controlled by using the control knob
Reuse	Easy to refill grease on site using grease nipple
Pre-Filled	Available pre-filled due to strategically placed piston clamps

Applications

