

Pulsarlube E0

Highly Cost Effective Gas Type Oiler

The Pulsarlube E0 is a low-cost oil lubrication solution which utilizes a non-return valve (NRV) to allow reliable lubrication minimizing oil leak.



* For more information on installation, please refer to the website.

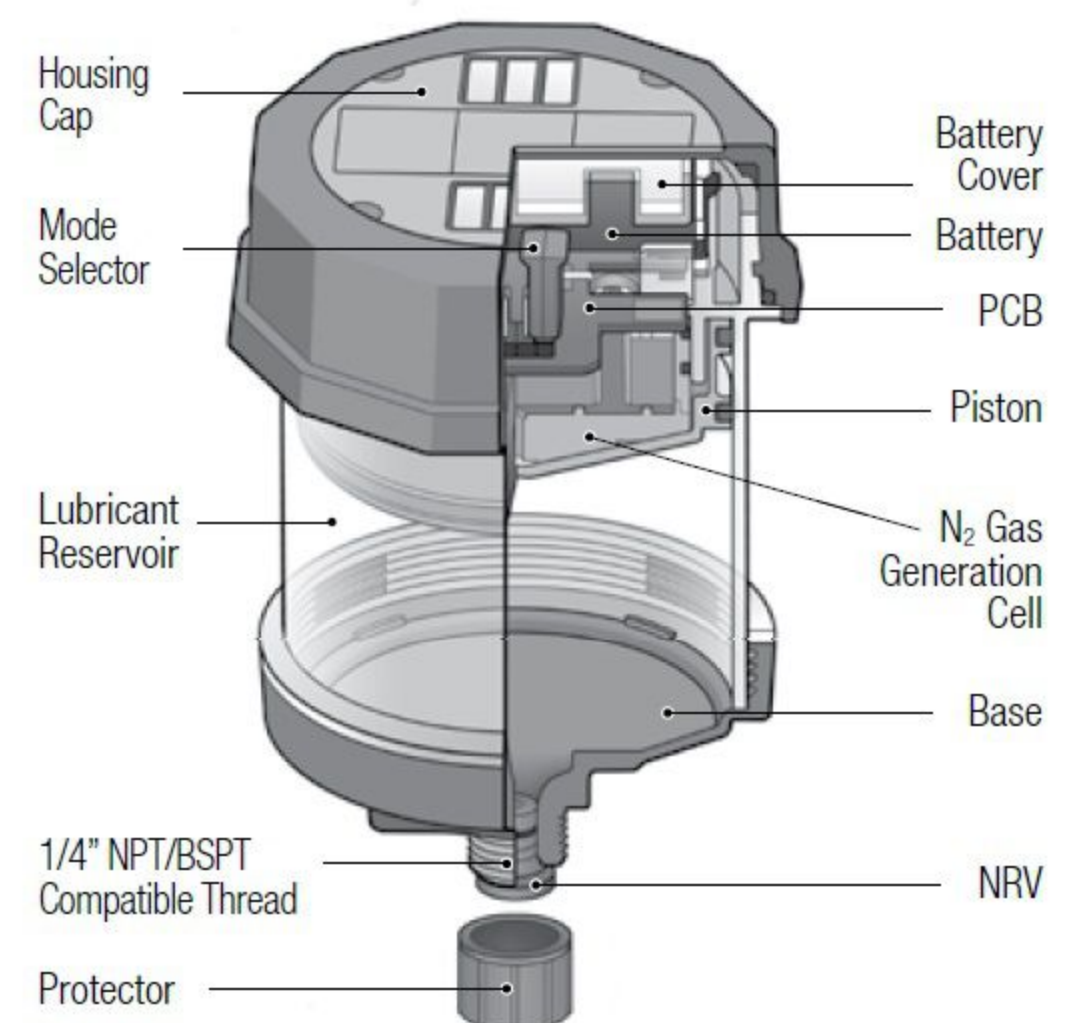
Features & Benefits

NRV	Specially designed non-return valve (NRV) allows the unit to be installed in any position minimizing oil leak
Compact Design	Compact size is convenient for use in confined spaces
Durability	Engineered to withstand high vibration
Eco-Friendly	The components of Pulsarlube E0 can be disposed and recycled separately conforming to local regulations

Specifications

Oil Volume Capacity 60ml/120ml/240ml (disposable)	Remote Installation Max. 3m (10ft) with O.D. Ø4mm tube
Operating Method Electrochemical reaction (Nitrogen gas)	Multi-Point Installation Not Applicable
Operating Pressure Max. 5kgf/cm ² (70psi)	Oil Viscosity Range 100~10,000 cSt@40°C * Special instructions available for 10~ 100 cSt@40°C.
Operating Temperature -20°C~55°C (-4°F~131°F)	
Dispensing Periods 1, 3, 6, 9, 12 month	

Cross Section



Product Dimension

E060 : Ø77mm (3.03") x 91mm (3.58") (H)
E0120 : Ø77mm (3.03") x 111mm (4.37") (H)
E0240 : Ø77mm (3.03") x 156mm (6.14") (H)

Applications



ESCALATORS WIRE ROPES CHAINS