

The Pulsarlube E is intrinsically safe.

The Pulsarlube E can be used in **hazardous locations** containing flammable liquids, vapors, gases, and dust.



Pulsarlube E

Compact & Economical

The Pulsarlube E is our smallest lubricator which can easily be installed in confined areas with limited accessibility. This eco-friendly product is recyclable.



Features & Benefits



Compact design is convenient for use in very confined spaces & Specially designed to endure high vibration



Transparent container and cap for easy visual inspection of remaining lubricant and dispensing periods



Eco-friendly product where applicable parts can be disposed of separately



Rated IP68 for dust-proof and protection against water damage

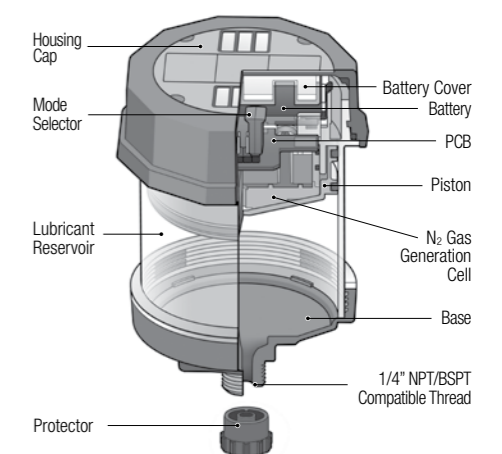
Specifications

Grease Capacity 60ml/120ml/240ml (disposable)	Operating Temperature -20°C~55°C (-4°F~131°F)	Multi-Point Installation Not Applicable
Operating Method Electrochemical reaction (Nitrogen gas)	Dispensing Periods 1, 3, 6, 9, 12 month	IP Code IP68
Operating Pressure Max. 5kgf/cm ² (70psi)	Remote Installation Max. 1m (3ft) with O.D. Ø8mm tube	Certifications IECEx, ATEX, KCs, UL, CE

Applications



Cross Section



Product Dimension
 E60 : Ø77mm (3.03") x 91mm (3.58") (H)
 E120 : Ø77mm (3.03") x 111mm (4.37") (H)
 E240 : Ø77mm (3.03") x 156mm (6.14") (H)